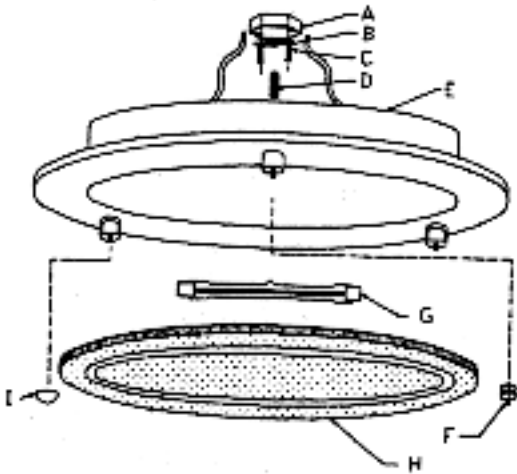


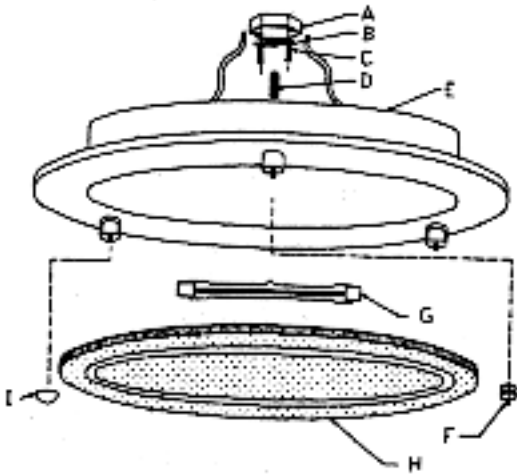
ATTACHMENT INSTRUCTIONS FOR FLUSH MOUNT No. 4601 (FOR WALL OR CEILING)



- UNSCREW THE 3 GLASS HOLDERS (I) AND PUT THE GLASS (H) ASIDE.
- ATTACH THE CROSS BAR (B) TO THE JUNCTION BOX (A) (NOT SUPPLIED).
- CONNECT THE SOCKET WIRE TO THE ELECTRICAL WIRES IN THE JUNCTION BOX (A) WITH WIRE NUTS (NOT SUPPLIED).
- SCREW THE NIPPLE (D) INTO THE CROSS BAR (B) 1/4 OF THE WAY.
- INSERT THE LAMP PLATE (E) ONTO THE NIPPLE (D) AND SCREW THE NIPPLE COVER (F) ONTO THE NIPPLE (D).
- INSERT THE 150W HALOGEN BULB (G) IN BETWEEN THE SOCKETS (DO THIS BY PUSHING ONE SIDE OF THE BULB INTO ONE SOCKET FIRST, THEN CONTINUE TO DO THE SAME FOR THE OTHER SIDE. (THIS TYPE OF BULB USE SOCKET THAT MADE OUT OF 2 PARTS).
- ***NEVER TOUCH THE BULB WITH BARE HANDS ALWAYS HOLD IT WITH CLEAN PAPER. OIL LEFT BY YOUR FINGERPRINT MAY CAUSE THE THE BULB TO EXPLODE WHEN HEATED. FINGER MARKS LEFT ON THE BULB SHOULD BE WIPED OFF WITH ALCOHOL. CAUTION: HALOGEN BULBS PRODUCE HIGH INTENSITY HEAT.***
- REATTACH THE GLASS (H) TO THE LAMP PLATE (E) WITH THE 3 GLASS HOLDERS (I).
- YOUR NEW HALOGEN LAMP MAY "SMOKE" WHEN FIRST USED. IT IS NORMAL FOR THE BULB TO BURN OUT ALL EXCESS MATERIAL LEFT ON IT FOR THE FIRST FEW MINUTES OF OPERATION.

Copyright © 2002 Lexstar Corporation

ATTACHMENT INSTRUCTIONS FOR FLUSH MOUNT No. 4602 (FOR WALL OR CEILING)

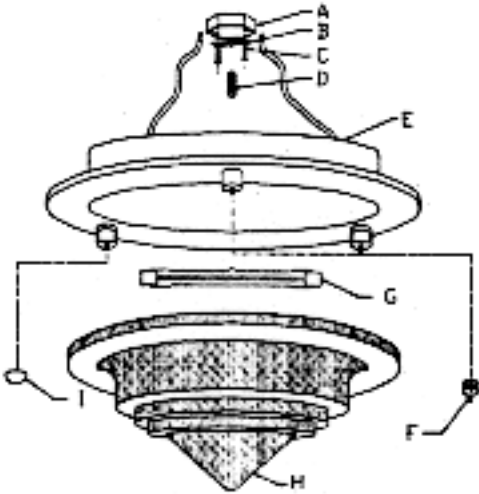


- UNSCREW THE 3 GLASS HOLDERS (I) AND PUT THE GLASS (H) ASIDE.
- ATTACH THE CROSS BAR (B) TO THE JUNCTION BOX (A) (NOT SUPPLIED).
- CONNECT THE SOCKET WIRE TO THE ELECTRICAL WIRES IN THE JUNCTION BOX (A) WITH WIRE NUTS (NOT SUPPLIED).
- SCREW THE NIPPLE (D) INTO THE CROSS BAR (B) 1/4 OF THE WAY.
- INSERT THE LAMP PLATE (E) ONTO THE NIPPLE (D) AND SCREW THE NIPPLE COVER (F) ONTO THE NIPPLE (D).
- INSERT THE 200W HALOGEN BULB (G) IN BETWEEN THE SOCKETS (DO THIS BY PUSHING ONE SIDE OF THE BULB INTO ONE SOCKET FIRST, THEN CONTINUE TO DO THE SAME FOR THE OTHER SIDE. (THIS TYPE OF BULB USE SOCKET THAT MADE OUT OF 2 PARTS).
- **NEVER TOUCH THE BULB WITH BARE HANDS ALWAYS HOLD IT WITH CLEAN PAPER. OIL LEFT BY YOUR FINGERPRINT MAY CAUSE THE THE BULB TO EXPLODE WHEN HEATED. FINGER MARKS LEFT ON THE BULB SHOULD BE WIPED OFF WITH ALCOHOL. CAUTION: HALOGEN BULBS PRODUCE HIGH INTENSITY HEAT.**
- REATTACH THE GLASS (H) TO THE LAMP PLATE (E) WITH THE 3 GLASS HOLDERS (I).
- YOUR NEW HALOGEN LAMP MAY "SMOKE" WHEN FIRST USED. IT IS NORMAL FOR THE BULB TO BURN OUT ALL EXCESS MATERIAL LEFT ON IT FOR THE FIRST FEW MINUTES OF OPERATION.

Copyright © 2002 Lexstar Corporation

ATTACHMENT INSTRUCTIONS FOR FLUSH MOUNT

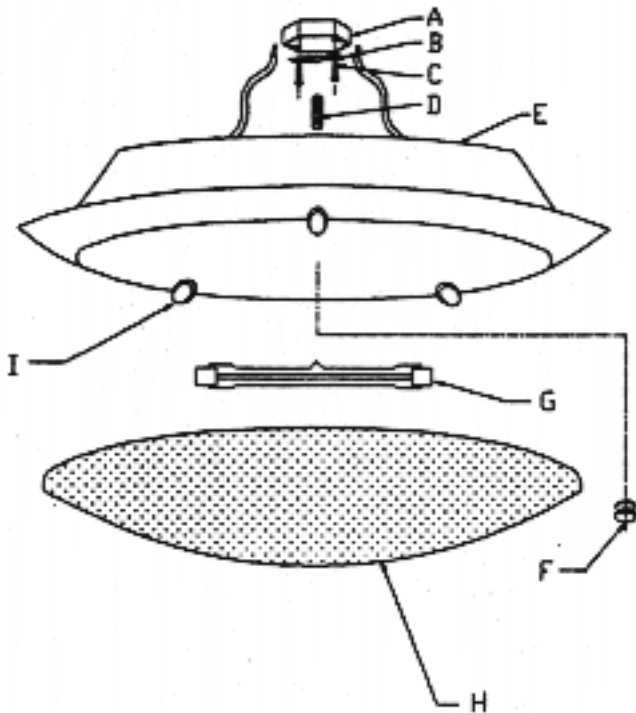
No. 4603 (FOR WALL OR CEILING)



- UNSCREW THE 3 GLASS HOLDERS (I) AND PUT THE GLASS (H) ASIDE.
- ATTACH THE CROSS BAR (B) TO THE JUNCTION BOX (A) (NOT SUPPLIED).
- CONNECT THE SOCKET WIRE TO THE ELECTRICAL WIRES IN THE JUNCTION BOX (A) WITH WIRE NUTS (NOT SUPPLIED).
- SCREW THE NIPPLE (D) INTO THE CROSS BAR (B) 1/4 OF THE WAY.
- INSERT THE LAMP PLATE (E) ONTO THE NIPPLE (D) AND SCREW THE NIPPLE COVER (F) ONTO THE NIPPLE (D).
- INSERT THE 200W HALOGEN BULB (G) IN BETWEEN THE SOCKETS (DO THIS BY PUSHING ONE SIDE OF THE BULB INTO ONE SOCKET FIRST, THEN CONTINUE TO DO THE SAME FOR THE OTHER SIDE. (THIS TYPE OF BULB USE SOCKET THAT MADE OUT OF 2 PARTS).
- **NEVER TOUCH THE BULB WITH BARE HANDS ALWAYS HOLD IT WITH CLEAN PAPER. OIL LEFT BY YOUR FINGERPRINT MAY CAUSE THE THE BULB TO EXPLODE WHEN HEATED. FINGER MARKS LEFT ON THE BULB SHOULD BE WIPED OFF WITH ALCOHOL. CAUTION: HALOGEN BULBS PRODUCE HIGH INTENSITY HEAT.**
- REATTACH THE GLASS (H) TO THE LAMP PLATE (E) WITH THE 3 GLASS HOLDERS (I).
- YOUR NEW HALOGEN LAMP MAY "SMOKE" WHEN FIRST USED. IT IS NORMAL FOR THE BULB TO BURN OUT ALL EXCESS MATERIAL LEFT ON IT FOR THE FIRST FEW MINUTES OF OPERATION.

Copyright © 2002 Lexstar Corporation

ATTACHMENT INSTRUCTIONS FOR FLUSH MOUNT No. 4604 (FOR WALL OR CEILING)

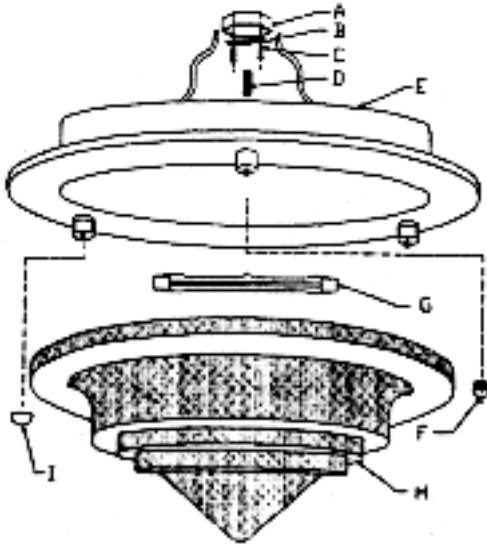


- TURN THE 3 GLASS HOLDERS (I) TO THE OUT POSITION AND REMOVE THE GLASS (H) ASIDE.
- ATTACH THE CROSS BAR (B) TO THE JUNCTION BOX (A) (NOT SUPPLIED).
- CONNECT THE SOCKET WIRE TO THE ELECTRICAL WIRES IN THE JUNCTION BOX (A) WITH WIRE NUTS (NOT SUPPLIED).
- SCREW THE NIPPLE (D) INTO THE CROSS BAR (B) 1/4 OF THE WAY.
- INSERT THE LAMP PLATE (E) ONTO THE NIPPLE (D) AND SCREW THE NIPPLE COVER (F) ONTO THE NIPPLE (D).
- INSERT THE 150W HALOGEN BULB (G) IN BETWEEN THE SOCKETS (DO THIS BY PUSHING ONE SIDE OF THE BULB INTO ONE SOCKET FIRST, THEN CONTINUE TO DO THE SAME FOR THE OTHER SIDE. (THIS TYPE OF BULB USE SOCKET THAT MADE OUT OF 2 PARTS).
- **NEVER TOUCH THE BULB WITH BARE HANDS ALWAYS HOLD IT WITH CLEAN PAPER. OIL LEFT BY YOUR FINGERPRINT MAY CAUSE THE THE BULB TO EXPLODE WHEN HEATED. FINGER MARKS LEFT ON THE BULB SHOULD BE WIPED OFF WITH ALCOHOL. CAUTION: HALOGEN BULBS PRODUCE HIGH INTENSITY HEAT.**
- REATTACH THE GLASS (H) TO THE LAMP PLATE (E) WITH THE 3 GLASS HOLDERS (I).
- YOUR NEW HALOGEN LAMP MAY "SMOKE" WHEN FIRST USED. IT IS NORMAL FOR THE BULB TO BURN OUT ALL EXCESS MATERIAL LEFT ON IT FOR THE FIRST FEW MINUTES OF OPERATION.

Copyright © 2002 Lexstar Corporation

ATTACHMENT INSTRUCTIONS FOR FLUSH MOUNT

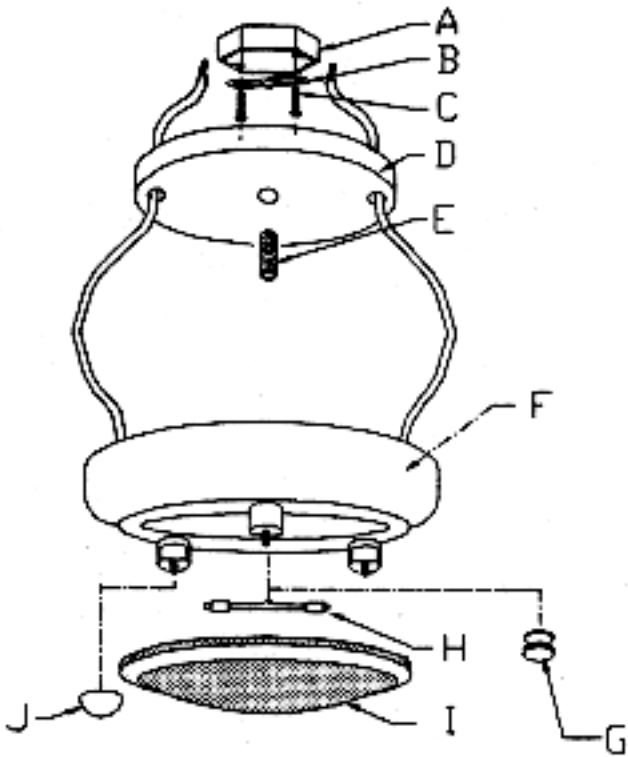
No. 4605 (FOR WALL OR CEILING)



- UNSCREW THE 3 GLASS HOLDERS (I) AND PUT THE GLASS (H) ASIDE.
- ATTACH THE CROSS BAR (B) TO THE JUNCTION BOX (A) (NOT SUPPLIED).
- CONNECT THE SOCKET WIRE TO THE ELECTRICAL WIRES IN THE JUNCTION BOX (A) WITH WIRE NUTS (NOT SUPPLIED).
- SCREW THE NIPPLE (D) INTO THE CROSS BAR (B) 1/4 OF THE WAY.
- INSERT THE LAMP PLATE (E) ONTO THE NIPPLE (D) AND SCREW THE NIPPLE COVER (F) ONTO THE NIPPLE (D).
- INSERT THE 150W HALOGEN BULB (G) IN BETWEEN THE SOCKETS (DO THIS BY PUSHING ONE SIDE OF THE BULB INTO ONE SOCKET FIRST, THEN CONTINUE TO DO THE SAME FOR THE OTHER SIDE. (THIS TYPE OF BULB USE SOCKET THAT MADE OUT OF 2 PARTS).
- **NEVER TOUCH THE BULB WITH BARE HANDS ALWAYS HOLD IT WITH CLEAN PAPER. OIL LEFT BY YOUR FINGERPRINT MAY CAUSE THE THE BULB TO EXPLODE WHEN HEATED. FINGER MARKS LEFT ON THE BULB SHOULD BE WIPED OFF WITH ALCOHOL. CAUTION: HALOGEN BULBS PRODUCE HIGH INTENSITY HEAT.**
- REATTACH THE GLASS (H) TO THE LAMP PLATE (E) WITH THE 3 GLASS HOLDERS (I).
- YOUR NEW HALOGEN LAMP MAY "SMOKE" WHEN FIRST USED. IT IS NORMAL FOR THE BULB TO BURN OUT ALL EXCESS MATERIAL LEFT ON IT FOR THE FIRST FEW MINUTES OF OPERATION.

Copyright © 2002 Lexstar Corporation

ATTACHMENT INSTRUCTIONS FOR FLUSH MOUNT No. 4606 (FOR WALL OR CEILING)

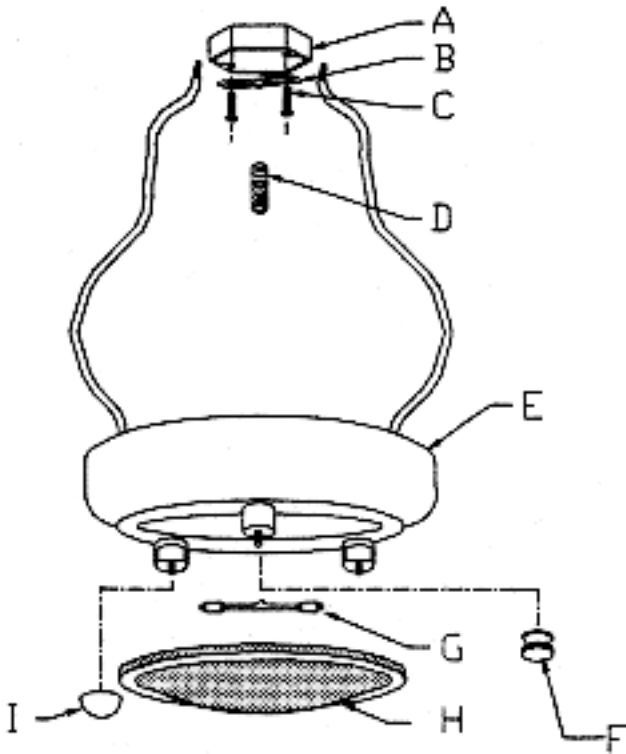


- UNSCREW THE 3 GLASS HOLDERS (J) AND PUT THE GLASS(I) ASIDE.
- ATTACH THE CROSS BAR (B) TO THE JUNCTION BOX (A) (NOT SUPPLIED).
- INSERT THE 2 WIRE SOCKETS THROUGH THE HOLES IN THE CANOPY (D).
- CONNECT THE SOCKET WIRE TO THE ELECTRICAL WIRES IN THE JUNCTION BOX (A) WITH WIRE NUTS (NOT SUPPLIED).
- SCREW THE NIPPLE (E) INTO THE CROSS BAR (B) 1/4 OF THE WAY.
- INSERT THE LAMP PLATE (F) ONTO THE NIPPLE (E) OVER THE CANOPY (D) AND SCREW THE NIPPLE COVER (G) ONTO THE NIPPLE (E) (**MAKE SURE ALL WIRES ARE UNDER THE CANOPY (D) AND SECURED.**)
- INSERT THE 100W HALOGEN BULB (H) IN BETWEEN THE SOCKETS (DO THIS BY PUSHING ONE SIDE OF THE BULB INTO ONE SOCKET FIRST, THEN CONTINUE TO DO THE SAME FOR THE OTHER SIDE. (THIS TYPE OF BULB USE SOCKET THAT MADE OUT OF 2 PARTS).
- **NEVER TOUCH THE BULB WITH BARE HANDS ALWAYS HOLD IT WITH CLEAN PAPER. OIL LEFT BY YOUR FINGERPRINT MAY CAUSE THE THE BULB TO EXPLODE WHEN HEATED. FINGER MARKS LEFT ON THE BULB SHOULD BE WIPED OFF WITH ALCOHOL. CAUTION: HALOGEN BULBS PRODUCE HIGH INTENSITY HEAT.**
- REATTACH THE GLASS (I) TO THE LAMP PLATE (F) WITH THE 3 GLASS HOLDERS (J).
- YOUR NEW HALOGEN LAMP MAY "SMOKE" WHEN FIRST USED. IT IS NORMAL FOR THE BULB TO BURN OUT ALL EXCESS MATERIAL LEFT ON IT FOR THE FIRST FEW MINUTES OF OPERATION.

Copyright © 2002 Lexstar Corporation

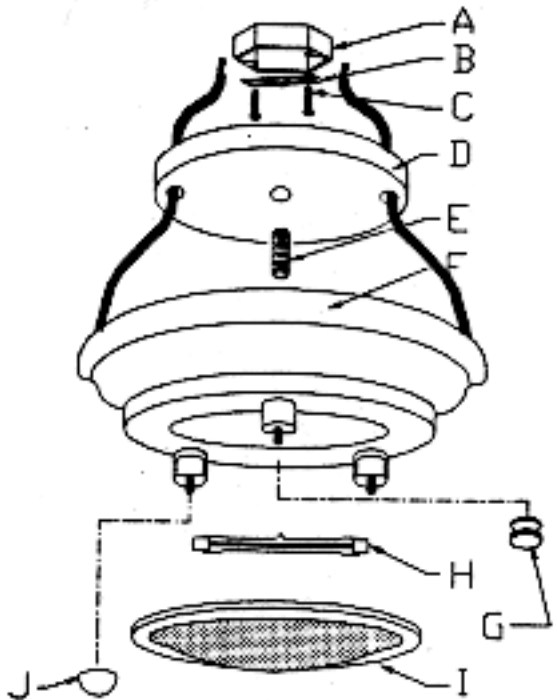
ATTACHMENT INSTRUCTIONS FOR FLUSH

MOUNT No. 4607 (FOR WALL OR CEILING)



- UNSCREW THE 3 GLASS HOLDERS (I) AND PUT THE GLASS (H) ASIDE.
- ATTACH THE CROSS BAR (B) TO THE JUNCTION BOX (A) (NOT SUPPLIED).
- CONNECT THE SOCKET WIRE TO THE ELECTRICAL WIRES IN THE JUNCTION BOX (A) WITH WIRE NUTS (NOT SUPPLIED).
- SCREW THE NIPPLE (D) INTO THE CROSS BAR (B) 1/4 OF THE WAY.
- INSERT THE LAMP PLATE (E) ONTO THE NIPPLE (D) AND SCREW THE NIPPLE COVER (F) ONTO THE NIPPLE (D).
- INSERT THE 150W HALOGEN BULB (G) IN BETWEEN THE SOCKETS (DO THIS BY PUSHING ONE SIDE OF THE BULB INTO ONE SOCKET FIRST, THEN CONTINUE TO DO THE SAME FOR THE OTHER SIDE. (THIS TYPE OF BULB USE SOCKET THAT MADE OUT OF 2 PARTS).
- **NEVER TOUCH THE BULB WITH BARE HANDS ALWAYS HOLD IT WITH CLEAN PAPER. OIL LEFT BY YOUR FINGERPRINT MAY CAUSE THE THE BULB TO EXPLODE WHEN HEATED. FINGER MARKS LEFT ON THE BULB SHOULD BE WIPED OFF WITH ALCOHOL. CAUTION: HALOGEN BULBS PRODUCE HIGH INTENSITY HEAT.**
- REATTACH THE GLASS (H) TO THE LAMP PLATE (E) WITH THE 3 GLASS HOLDERS (I).
- YOUR NEW HALOGEN LAMP MAY "SMOKE" WHEN FIRST USED. IT IS NORMAL FOR THE BULB TO BURN OUT ALL EXCESS MATERIAL LEFT ON IT FOR THE FIRST FEW MINUTES OF OPERATION.

Copyright © 2002 Lexstar Corporation

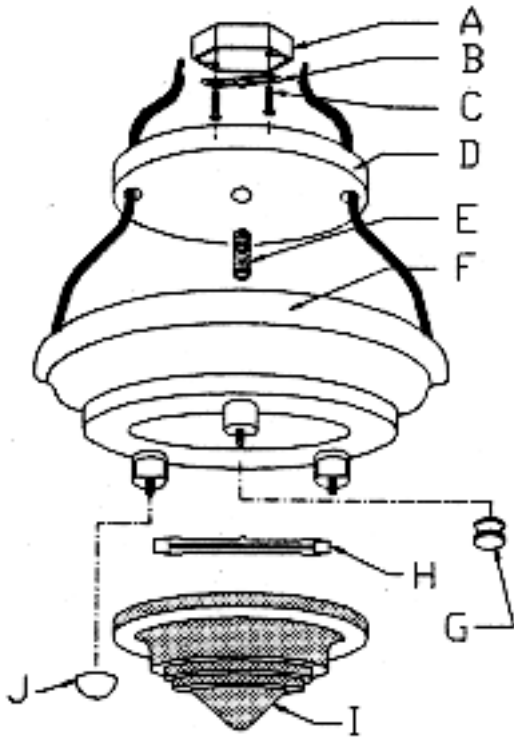


ATTACHMENT INSTRUCTIONS FOR FLUSH MOUNT No. 4609 (FOR WALL OR CEILING)

- UNSCREW THE 3 GLASS HOLDERS (J) AND PUT THE GLASS (I) ASIDE.
- ATTACH THE CROSS BAR (B) TO THE JUNCTION BOX (A) (NOT SUPPLIED).
- INSERT THE 2 WIRE SOCKETS THROUGH THE HOLES IN THE CANOPY (D).
- CONNECT THE SOCKET WIRE TO THE ELECTRICAL WIRES IN THE JUNCTION BOX (A) WITH WIRE NUTS (NOT SUPPLIED).
- SCREW THE NIPPLE (E) INTO THE CROSS BAR (B) 1/4 OF THE WAY.
- INSERT THE LAMP PLATE (F) ONTO THE NIPPLE (E) OVER THE CANOPY (D) AND SCREW THE NIPPLE COVER (G) ONTO THE NIPPLE (E) (**MAKE SURE ALL WIRES ARE UNDER THE CANOPY (D) AND SECURED**).
- INSERT THE 100W HALOGEN BULB (H) IN BETWEEN THE SOCKETS (DO THIS BY PUSHING ONE SIDE OF THE BULB INTO ONE SOCKET FIRST, THEN CONTINUE TO DO THE SAME FOR THE OTHER SIDE. (THIS TYPE OF BULB USE SOCKET THAT MADE OUT OF 2 PARTS).
- **NEVER TOUCH THE BULB WITH BARE HANDS ALWAYS HOLD IT WITH CLEAN PAPER. OIL LEFT BY YOUR FINGERPRINT MAY CAUSE THE THE BULB TO EXPLODE WHEN HEATED. FINGER MARKS LEFT ON THE BULB SHOULD BE WIPED OFF WITH ALCOHOL. CAUTION: HALOGEN BULBS PRODUCE HIGH INTENSITY HEAT.**
- REATTACH THE GLASS (I) TO THE LAMP PLATE (F) WITH THE 3 GLASS HOLDERS (J).
- YOUR NEW HALOGEN LAMP MAY "SMOKE" WHEN FIRST USED. IT IS NORMAL FOR THE BULB TO BURN OUT ALL EXCESS MATERIAL LEFT ON IT FOR THE FIRST FEW MINUTES OF OPERATION.

Copyright © 2002 Lexstar Corporation

ATTACHMENT INSTRUCTIONS FOR FLUSH MOUNT No. 4610 (FOR WALL OR CEILING)

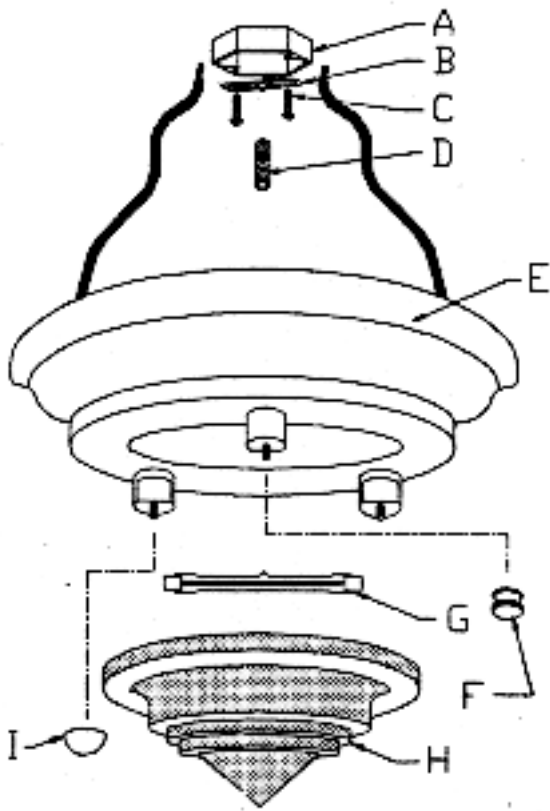


- UNSCREW THE 3 GLASS HOLDERS (J) AND PUT THE GLASS (I) ASIDE.
- ATTACH THE CROSS BAR (B) TO THE JUNCTION BOX (A) (NOT SUPPLIED).
- INSERT THE 2 WIRE SOCKETS THROUGH THE HOLES IN THE CANOPY (D).
- CONNECT THE SOCKET WIRE TO THE ELECTRICAL WIRES IN THE JUNCTION BOX (A) WITH WIRE NUTS (NOT SUPPLIED).
- SCREW THE NIPPLE (E) INTO THE CROSS BAR (B) 1/4 OF THE WAY.
- INSERT THE LAMP PLATE (F) ONTO THE NIPPLE (E) OVER THE CANOPY (D) AND SCREW THE NIPPLE COVER (G) ONTO THE NIPPLE (E) (**MAKE SURE ALL WIRES ARE UNDER THE CANOPY (D) AND SECURED**).
- INSERT THE 100W HALOGEN BULB (H) IN BETWEEN THE SOCKETS (DO THIS BY PUSHING ONE SIDE OF THE BULB INTO ONE SOCKET FIRST, THEN CONTINUE TO DO THE SAME FOR THE OTHER SIDE. (THIS TYPE OF BULB USE SOCKET THAT MADE OUT OF 2 PARTS)).
- **NEVER TOUCH THE BULB WITH BARE HANDS ALWAYS HOLD IT WITH CLEAN PAPER.** OIL LEFT BY YOUR FINGERPRINT MAY CAUSE THE THE BULB TO EXPLODE WHEN HEATED. FINGER MARKS LEFT ON THE BULB SHOULD BE WIPED OFF WITH ALCOHOL. **CAUTION: HALOGEN BULBS PRODUCE HIGH INTENSITY HEAT.**
- REATTACH THE GLASS (I) TO THE LAMP PLATE (F) WITH THE 3 GLASS HOLDERS (J).
- YOUR NEW HALOGEN LAMP MAY "SMOKE" WHEN FIRST USED. IT IS NORMAL FOR THE BULB TO BURN OUT ALL EXCESS MATERIAL LEFT ON IT FOR THE FIRST FEW MINUTES OF OPERATION.

Copyright © 2002 Lexstar Corporation

ATTACHMENT INSTRUCTIONS FOR FLUSH MOUNT

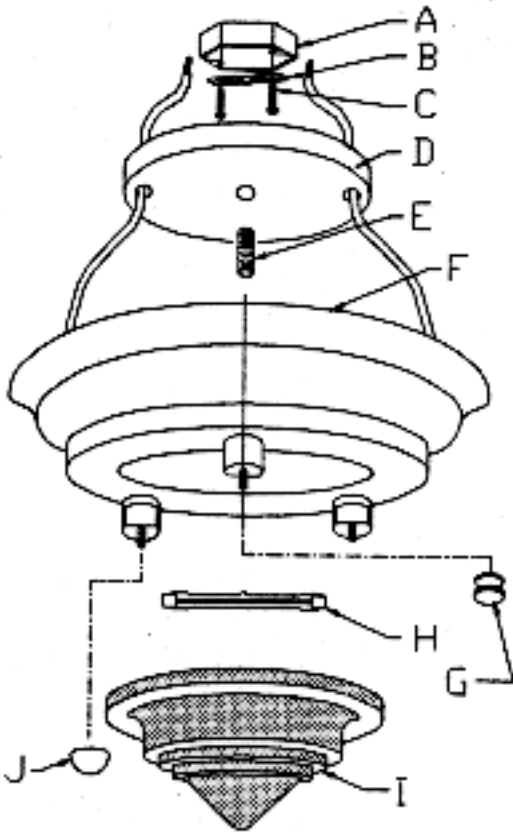
No. 4611 (FOR WALL OR CEILING)



- UNSCREW THE 3 GLASS HOLDERS (I) AND PUT THE GLASS (H) ASIDE.
- ATTACH THE CROSS BAR (B) TO THE JUNCTION BOX (A) (NOT SUPPLIED).
- CONNECT THE SOCKET WIRE TO THE ELECTRICAL WIRES IN THE JUNCTION BOX (A) WITH WIRE NUTS (NOT SUPPLIED).
- SCREW THE NIPPLE (D) INTO THE CROSS BAR (B) 1/4 OF THE WAY.
- INSERT THE LAMP PLATE (E) ONTO THE NIPPLE (D) AND SCREW THE NIPPLE COVER (F) ONTO THE NIPPLE (D).
- INSERT THE 150W HALOGEN BULB (G) IN BETWEEN THE SOCKETS (DO THIS BY PUSHING ONE SIDE OF THE BULB INTO ONE SOCKET FIRST, THEN CONTINUE TO DO THE SAME FOR THE OTHER SIDE. (THIS TYPE OF BULB USE SOCKET THAT MADE OUT OF 2 PARTS).
- ***NEVER TOUCH THE BULB WITH BARE HANDS ALWAYS HOLD IT WITH CLEAN PAPER. OIL LEFT BY YOUR FINGERPRINT MAY CAUSE THE THE BULB TO EXPLODE WHEN HEATED. FINGER MARKS LEFT ON THE BULB SHOULD BE WIPED OFF WITH ALCOHOL. CAUTION: HALOGEN BULBS PRODUCE HIGH INTENSITY HEAT.***
- REATTACH THE GLASS (H) TO THE LAMP PLATE (E) WITH THE 3 GLASS HOLDERS (I).
- YOUR NEW HALOGEN LAMP MAY "SMOKE" WHEN FIRST USED. IT IS NORMAL FOR THE BULB TO BURN OUT ALL EXCESS MATERIAL LEFT ON IT FOR THE FIRST FEW MINUTES OF OPERATION.

Copyright © 2002 Lexstar Corporation

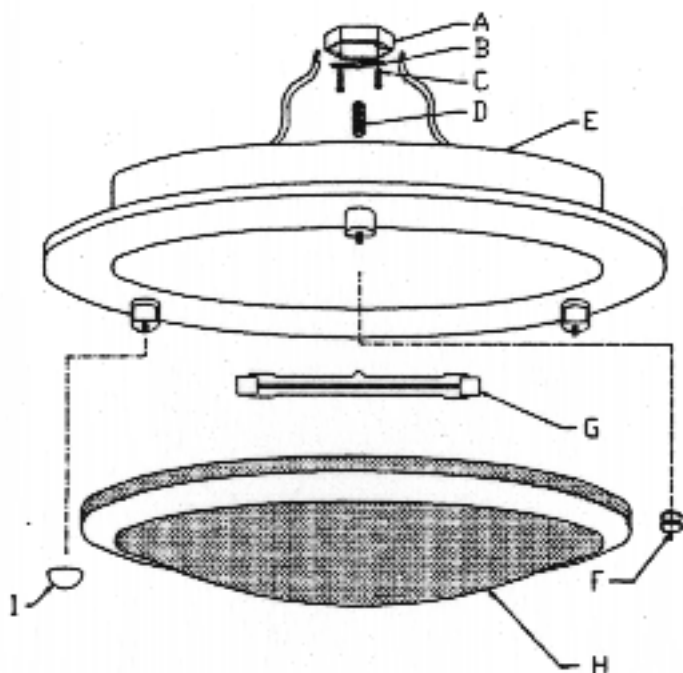
ATTACHMENT INSTRUCTIONS FOR FLUSH MOUNT No. 4612 (FOR WALL OR CEILING)



- UNSCREW THE 3 GLASS HOLDERS (J) AND PUT THE GLASS (I) ASIDE.
- ATTACH THE CROSS BAR (B) TO THE JUNCTION BOX (A) (NOT SUPPLIED).
- INSERT THE 2 WIRE SOCKETS THROUGH THE HOLES IN THE CANOPY (D).
- CONNECT THE SOCKET WIRE TO THE ELECTRICAL WIRES IN THE JUNCTION BOX (A) WITH WIRE NUTS (NOT SUPPLIED).
- SCREW THE NIPPLE (E) INTO THE CROSS BAR (B) 1/4 OF THE WAY.
- INSERT THE LAMP PLATE (F) ONTO THE NIPPLE (E) OVER THE CANOPY (D) AND SCREW THE NIPPLE COVER (G) ONTO THE NIPPLE (E) (**MAKE SURE ALL WIRES ARE UNDER THE CANOPY (D) AND SECURED**).
- INSERT THE 200W HALOGEN BULB (H) IN BETWEEN THE SOCKETS (DO THIS BY PUSHING ONE SIDE OF THE BULB INTO ONE SOCKET FIRST, THEN CONTINUE TO DO THE SAME FOR THE OTHER SIDE. (THIS TYPE OF BULB USE SOCKET THAT MADE OUT OF 2 PARTS).
- **NEVER TOUCH THE BULB WITH BARE HANDS ALWAYS HOLD IT WITH CLEAN PAPER. OIL LEFT BY YOUR FINGERPRINT MAY CAUSE THE THE BULB TO EXPLODE WHEN HEATED. FINGER MARKS LEFT ON THE BULB SHOULD BE WIPED OFF WITH ALCOHOL. CAUTION: HALOGEN BULBS PRODUCE HIGH INTENSITY HEAT.**
- REATTACH THE GLASS (I) TO THE LAMP PLATE (F) WITH THE 3 GLASS HOLDERS (J).
- YOUR NEW HALOGEN LAMP MAY "SMOKE" WHEN FIRST USED. IT IS NORMAL FOR THE BULB TO BURN OUT ALL EXCESS MATERIAL LEFT ON IT FOR THE FIRST FEW MINUTES OF OPERATION.

Copyright © 2002 Lexstar Corporation

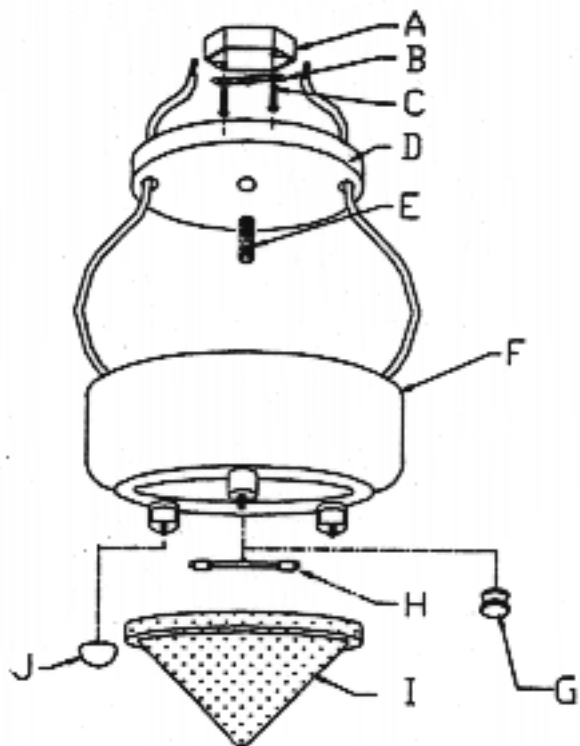
ATTACHMENT INSTRUCTIONS FOR FLUSH MOUNT No. 4617 (FOR WALL OR CEILING)



- UNSCREW THE 3 GLASS HOLDERS (I) AND PUT THE GLASS(H) ASIDE.
- ATTACH THE CROSS BAR (B) TO THE JUNCTION BOX (A) (NOT SUPPLIED).
- CONNECT THE SOCKET WIRE TO THE ELECTRICAL WIRES IN THE JUNCTION BOX (A) WITH WIRE NUTS (NOT SUPPLIED).
- SCREW THE NIPPLE (D) INTO THE CROSS BAR (B) 1/4 OF THE WAY.
- INSERT THE LAMP PLATE (E) ONTO THE NIPPLE (D) AND SCREW THE NIPPLE COVER (F) ONTO THE NIPPLE (D).
- INSERT THE 150W HALOGEN BULB (G) IN BETWEEN THE SOCKETS (DO THIS BY PUSHING ONE SIDE OF THE BULB INTO ONE SOCKET FIRST, THEN CONTINUE TO DO THE SAME FOR THE OTHER SIDE. (THIS TYPE OF BULB USE SOCKET THAT MADE OUT OF 2 PARTS).
- **NEVER TOUCH THE BULB WITH BARE HANDS ALWAYS HOLD IT WITH CLEAN PAPER. OIL LEFT BY YOUR FINGERPRINT MAY CAUSE THE THE BULB TO EXPLODE WHEN HEATED. FINGER MARKS LEFT ON THE BULB SHOULD BE WIPED OFF WITH ALCOHOL. CAUTION: HALOGEN BULBS PRODUCE HIGH INTENSITY HEAT.**
- REATTACH THE GLASS (H) TO THE LAMP PLATE (E) WITH THE 3 GLASS HOLDERS (I).
- YOUR NEW HALOGEN LAMP MAY "SMOKE" WHEN FIRST USED. IT IS NORMAL FOR THE BULB TO BURN OUT ALL EXCESS MATERIAL LEFT ON IT FOR THE FIRST FEW MINUTES OF OPERATION.

Copyright © 2002 Lexstar Corporation

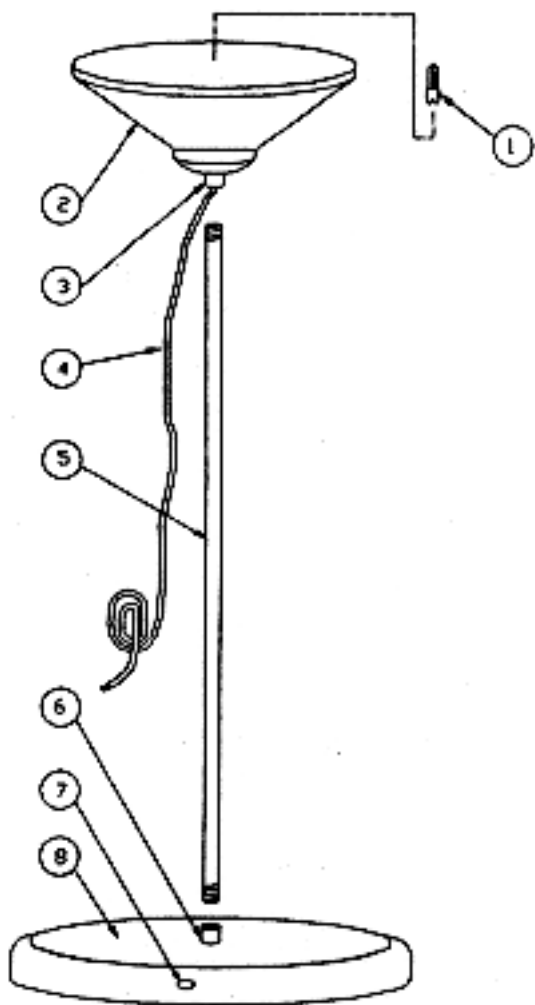
ATTACHMENT INSTRUCTIONS FOR FLUSH MOUNT No. 4620 (FOR WALL OR CEILING)



- UNSCREW THE 3 GLASS HOLDERS (J) AND PUT THE GLASS(I) ASIDE.
- ATTACH THE CROSS BAR (B) TO THE JUNCTION BOX (A) (NOT SUPPLIED).
- INSERT THE 2 WIRE SOCKETS THROUGH THE HOLES IN THE CANOPY (D).
- CONNECT THE SOCKET WIRE TO THE ELECTRICAL WIRES IN THE JUNCTION BOX (A) WITH WIRE NUTS (NOT SUPPLIED).
- SCREW THE NIPPLE (E) INTO THE CROSS BAR (B) 1/4 OF THE WAY.
- INSERT THE LAMP PLATE (F) ONTO THE NIPPLE (E) OVER THE CANOPY (D) AND SCREW THE NIPPLE COVER (G) ONTO THE NIPPLE (E) (**MAKE SURE ALL WIRES ARE UNDER THE CANOPY (D) AND SECURED**).
- INSERT THE 100W HALOGEN BULB (H) IN BETWEEN THE SOCKETS (DO THIS BY PUSHING ONE SIDE OF THE BULB INTO ONE SOCKET FIRST, THEN CONTINUE TO DO THE SAME FOR THE OTHER SIDE. (THIS TYPE OF BULB USE SOCKET THAT MADE OUT OF 2 PARTS).
- **NEVER TOUCH THE BULB WITH BARE HANDS ALWAYS HOLD IT WITH CLEAN PAPER. OIL LEFT BY YOUR FINGERPRINT MAY CAUSE THE THE BULB TO EXPLODE WHEN HEATED. FINGER MARKS LEFT ON THE BULB SHOULD BE WIPED OFF WITH ALCOHOL. CAUTION: HALOGEN BULBS PRODUCE HIGH INTENSITY HEAT.**
- REATTACH THE GLASS (I) TO THE LAMP PLATE (F) WITH THE 3 GLASS HOLDERS (J).
- YOUR NEW HALOGEN LAMP MAY "SMOKE" WHEN FIRST USED. IT IS NORMAL FOR THE BULB TO BURN OUT ALL EXCESS MATERIAL LEFT ON IT FOR THE FIRST FEW MINUTES OF OPERATION.

Copyright © 2002 Lexstar Corporation

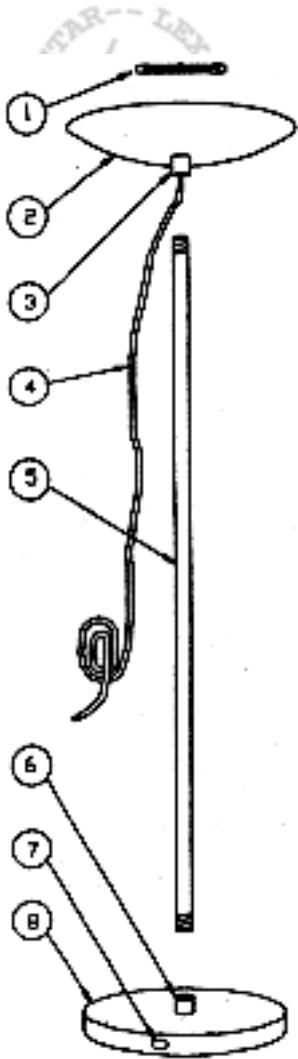
ASSEMBLING INSTRUCTIONS FOR 5020



- INSERT THE ELECTRICAL CORD (4) INTO THE LONG TUBE (5) STARTING FROM THE TOP, UNTIL THE CORD EMERGES FROM THE OTHER SIDE.
- SCREW THE LONG TUBE (5) INTO THE FITTING (3) WHICH IS ATTACHED TO THE BOTTOM OF THE SHADE (2) MAKE SURE IT IS TIGHT AND SECURED.
- INSERT THE CORD THAT IS EMERGING FROM THE LONG TUBE (5) INTO THE BASE OF THE LAMP (8) THROUGH THE FITTING (6). THEN, SCREW THE LONG TUBE WITH THE HEAD ATTACHED, INTO THE BASE (8) AND TIGHTEN.
- INSERT THE REMAINING ELECTRICAL CORD (4) INTO THE SIDE HOLE (7) OF THE BASE (8) THROUGH THE BOTTOM OF THE LAMP.
- CONNECT THE PLUG TO THE ELECTRICAL WIRE (4) (SEE INSTRUCTION FOR PLUG CONNECTION SUPPLY WITH THE PLUG).
- INSERT THE HALOGEN BULB (1) INTO THE SOCKET WHICH IS LOCATED INSIDE THE LAMP SHADE (2). DO THIS BY PUSHING THE BULB INTO THE SOCKET AND TURNING 1/4 OF THE WAY.
- ***NEVER TOUCH THE BULB WITH BARE HANDS ALWAYS HOLD IT WITH CLEAN PAPER. OIL LEFT BY YOUR FINGERPRINT MAY CAUSE THE THE BULB TO EXPLODE WHEN HEATED. FINGER MARKS LEFT ON THE BULB SHOULD BE WIPED OFF WITH ALCOHOL. CAUTION: HALOGEN BULBS PRODUCE HIGH INTENSITY HEAT.***
- ***DO NOT SIT THE LAMP NEAR A WALL, DRAPERIES OR FURNITURE. MAKE SURE THE LAMP IS STANDING ON LEVEL AND SOLID GROUND.***
- YOUR NEW HALOGEN LAMP MAY "SMOKE" WHEN FIRST USED. IT IS NORMAL FOR THE BULB TO BURN OUT ALL EXCESS MATERIAL LEFT ON IT FOR THE FIRST FEW MINUTES OF OPERATION
- PLUG THE WIRE (4) INTO THE DIMMER, THEN PLUG THE DIMMER TO THE WALL OUTLET. SLIDE THE DIMMER TO THE ON POSITION AND ENJOY YOUR NEW LAMP.

Copyright © 2002 Lexstar Corporation

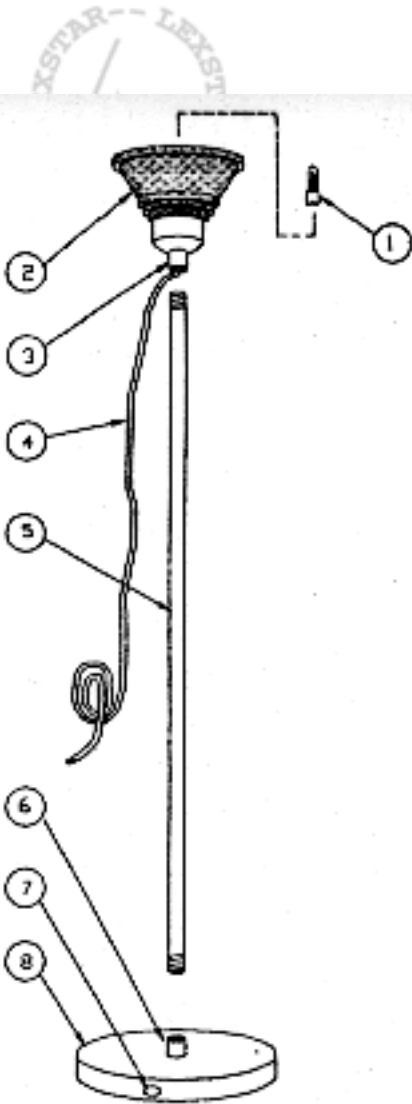
ASSEMBLING INSTRUCTIONS FOR 5031



- INSERT THE ELECTRICAL CORD (4) INTO THE LONG TUBE (5) STARTING FROM THE TOP, UNTIL THE CORD EMERGES FROM THE OTHER SIDE.
- SCREW THE LONG TUBE (5) INTO THE FITTING (3) WHICH IS ATTACHED TO THE BOTTOM OF THE SHADE (2) MAKE SURE IT IS TIGHT AND SECURED.
- INSERT THE CORD THAT IS EMERGING FROM THE LONG TUBE (5) INTO THE BASE OF THE LAMP (8) THROUGH THE FITTING (6). THEN, SCREW THE LONG TUBE WITH THE HEAD ATTACHED, INTO THE BASE (8) AND TIGHTEN.
- INSERT THE REMAINING ELECTRICAL CORD (4) INTO THE SIDE HOLE (7) OF THE BASE (8) THROUGH THE BOTTOM OF THE LAMP.
- CONNECT THE PLUG TO THE ELECTRICAL WIRE (4) (SEE INSTRUCTION FOR PLUG CONNECTION SUPPLY WITH THE PLUG).
- INSERT THE HALOGEN BULB (1) INTO THE SOCKET WHICH IS LOCATED INSIDE THE LAMP SHADE (2). DO THIS BY PUSHING ONE SIDE OF THE BULB INTO ONE SOCKET AND THEN PUTTING THE OTHER SIDE OF THE BULB TO THE OTHER SOCKET. (THIS TYPE OF BULB USE SOCKET THAT MADE OUT OF 2 PARTS).
- ***NEVER TOUCH THE BULB WITH BARE HANDS ALWAYS HOLD IT WITH CLEAN PAPER. OIL LEFT BY YOUR FINGERPRINT MAY CAUSE THE THE BULB TO EXPLODE WHEN HEATED. FINGER MARKS LEFT ON THE BULB SHOULD BE WIPED OFF WITH ALCOHOL. CAUTION: HALOGEN BULBS PRODUCE HIGH INTENSITY HEAT.***
- ***DO NOT SIT THE LAMP NEAR A WALL, DRAPERIES OR FURNITURE. MAKE SURE THE LAMP IS STANDING ON LEVEL AND SOLID GROUND.***
- YOUR NEW HALOGEN LAMP MAY "SMOKE" WHEN FIRST USED. IT IS NORMAL FOR THE BULB TO BURN OUT ALL EXCESS MATERIAL LEFT ON IT FOR THE FIRST FEW MINUTES OF OPERATION
- PLUG THE WIRE (4) INTO THE DIMMER, THEN PLUG THE DIMMER TO THE WALL OUTLET. SLIDE THE DIMMER TO THE ON POSITION AND ENJOY YOUR NEW LAMP.

Copyright © 2002 Lexstar Corporation

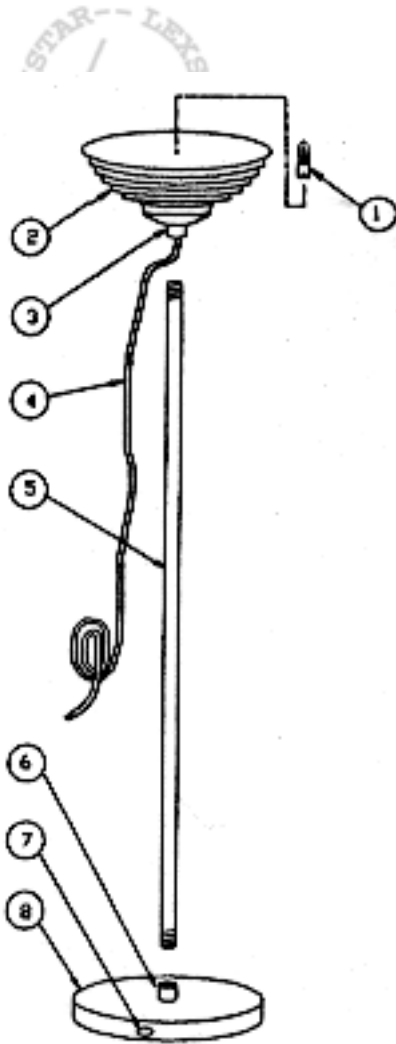
ASSEMBLING INSTRUCTIONS FOR 5088



- INSERT THE ELECTRICAL CORD (4) INTO THE LONG TUBE (5) STARTING FROM THE TOP, UNTIL THE CORD EMERGES FROM THE OTHER SIDE.
- SCREW THE LONG TUBE (5) INTO THE FITTING (3) WHICH IS ATTACHED TO THE BOTTOM OF THE SHADE (2) MAKE SURE IT IS TIGHT AND SECURED.
- INSERT THE CORD THAT IS EMERGING FROM THE LONG TUBE (5) INTO THE BASE OF THE LAMP (8) THROUGH THE FITTING (6). THEN, SCREW THE LONG TUBE WITH THE HEAD ATTACHED, INTO THE BASE (8) AND TIGHTEN.
- INSERT THE REMAINING ELECTRICAL CORD (4) INTO THE SIDE HOLE (7) OF THE BASE (8) THROUGH THE BOTTOM OF THE LAMP.
- CONNECT THE PLUG TO THE ELECTRICAL WIRE (4) (SEE INSTRUCTION FOR PLUG CONNECTION SUPPLY WITH THE PLUG).
- INSERT THE HALOGEN BULB (1) INTO THE SOCKET WHICH IS LOCATED INSIDE THE LAMP SHADE (2). DO THIS BY PUSHING THE BULB INTO THE SOCKET AND TURNING 1/4 OF THE WAY.
- ***NEVER TOUCH THE BULB WITH BARE HANDS ALWAYS HOLD IT WITH CLEAN PAPER. OIL LEFT BY YOUR FINGERPRINT MAY CAUSE THE THE BULB TO EXPLODE WHEN HEATED. FINGER MARKS LEFT ON THE BULB SHOULD BE WIPED OFF WITH ALCOHOL. CAUTION: HALOGEN BULBS PRODUCE HIGH INTENSITY HEAT.***
- ***DO NOT SIT THE LAMP NEAR A WALL, DRAPERIES OR FURNITURE. MAKE SURE THE LAMP IS STANDING ON LEVEL AND SOLID GROUND.***
- YOUR NEW HALOGEN LAMP MAY "SMOKE" WHEN FIRST USED. IT IS NORMAL FOR THE BULB TO BURN OUT ALL EXCESS MATERIAL LEFT ON IT FOR THE FIRST FEW MINUTES OF OPERATION
- PLUG THE WIRE (4) INTO THE DIMMER, THEN PLUG THE DIMMER TO THE WALL OUTLET. SLIDE THE DIMMER TO THE ON POSITION AND ENJOY YOUR NEW LAMP.

Copyright © 2002 Lexstar Corporation

ASSEMBLING INSTRUCTIONS FOR 5089



- INSERT THE ELECTRICAL CORD (4) INTO THE LONG TUBE (5) STARTING FROM THE TOP, UNTIL THE CORD EMERGES FROM THE OTHER SIDE.
- SCREW THE LONG TUBE (5) INTO THE FITTING (3) WHICH IS ATTACHED TO THE BOTTOM OF THE SHADE (2) MAKE SURE IT IS TIGHT AND SECURED.
- INSERT THE CORD THAT IS EMERGING FROM THE LONG TUBE (5) INTO THE BASE OF THE LAMP (8) THROUGH THE FITTING (6). THEN, SCREW THE LONG TUBE WITH THE HEAD ATTACHED, INTO THE BASE (8) AND TIGHTEN.
- INSERT THE REMAINING ELECTRICAL CORD (4) INTO THE SIDE HOLE (7) OF THE BASE (8) THROUGH THE BOTTOM OF THE LAMP.
- CONNECT THE PLUG TO THE ELECTRICAL WIRE (4) (SEE INSTRUCTION FOR PLUG CONNECTION SUPPLY WITH THE PLUG).
- INSERT THE HALOGEN BULB (1) INTO THE SOCKET WHICH IS LOCATED INSIDE THE LAMP SHADE (2). DO THIS BY PUSHING THE BULB INTO THE SOCKET AND TURNING 1/4 OF THE WAY.
- ***NEVER TOUCH THE BULB WITH BARE HANDS ALWAYS HOLD IT WITH CLEAN PAPER.*** OIL LEFT BY YOUR FINGERPRINT MAY CAUSE THE THE BULB TO EXPLODE WHEN HEATED. FINGER MARKS LEFT ON THE BULB SHOULD BE WIPED OFF WITH ALCOHOL. CAUTION: HALOGEN BULBS PRODUCE HIGH INTENSITY HEAT.
- ***DO NOT SIT THE LAMP NEAR A WALL, DRAPERIES OR FURNITURE. MAKE SURE THE LAMP IS STANDING ON LEVEL AND SOLID GROUND.***
- YOUR NEW HALOGEN LAMP MAY "SMOKE" WHEN FIRST USED. IT IS NORMAL FOR THE BULB TO BURN OUT ALL EXCESS MATERIAL LEFT ON IT FOR THE FIRST FEW MINUTES OF OPERATION
- PLUG THE WIRE (4) INTO THE DIMMER, THEN PLUG THE DIMMER TO THE WALL OUTLET. SLIDE THE DIMMER TO THE ON POSITION AND ENJOY YOUR NEW LAMP.

Copyright © 2002 Lexstar Corporation